

5110 SERIES PORTABLE DAVIT CRANE

up to 450 KG capacity



5110M1 with pedestal base

ADJUSTABLE BOOM telescopes to 4 different lengths, and adjusts in height while under load with ratchet style screw-jack.

CRANE ROTATES 360° on a pin and sleeve bearing in the base. Handle on the boom makes rotation easy.

HAND WINCH OPERATED MODELS include spur gear or worm gear hand winch with brake for load control. Model M2 can be drill-driven, 400 rpm max.

POWER WINCH OPERATED MODELS include electric winch with pendant control and brake.

CRANE BREAKS DOWN for storage or transport.

AVAILABLE FINISHES include powder coat, galvanized and stainless steel.



Shown with galvanized finish.

5110 Series Performance Characteristics

Wire Rope		Load Rating for M1 or M3 Winch*				Load Rating for M2 or E2 Winch*				Lift Below Floor**	
Diameter (mm)	Length (m)	Position 1 (kg)	Position 2 (kg)	Position 3 (kg)	Position 4 (kg)	Position 1 (kg)	Position 2 (kg)	Position 3 (kg)	Position 4 (kg)	Min below (m)	Max Below (m)
6,4	5,0	450	315	270	225	450	315	270	225	- 0,6	0,3
6,4	10,0	450	315	270	225	450	315	270	225	4,2	5,4
6,4	15,0	450	315	270	225	450	315	270	225	9,1	10,3
6,4	20,0	-	-	-	-	450	315	270	225	14,3	15,5

* See separate options and accessories product sheet for additional winch information.

** Lift below floor level varies depending on boom position and base configuration. For longer lifts contact factory.



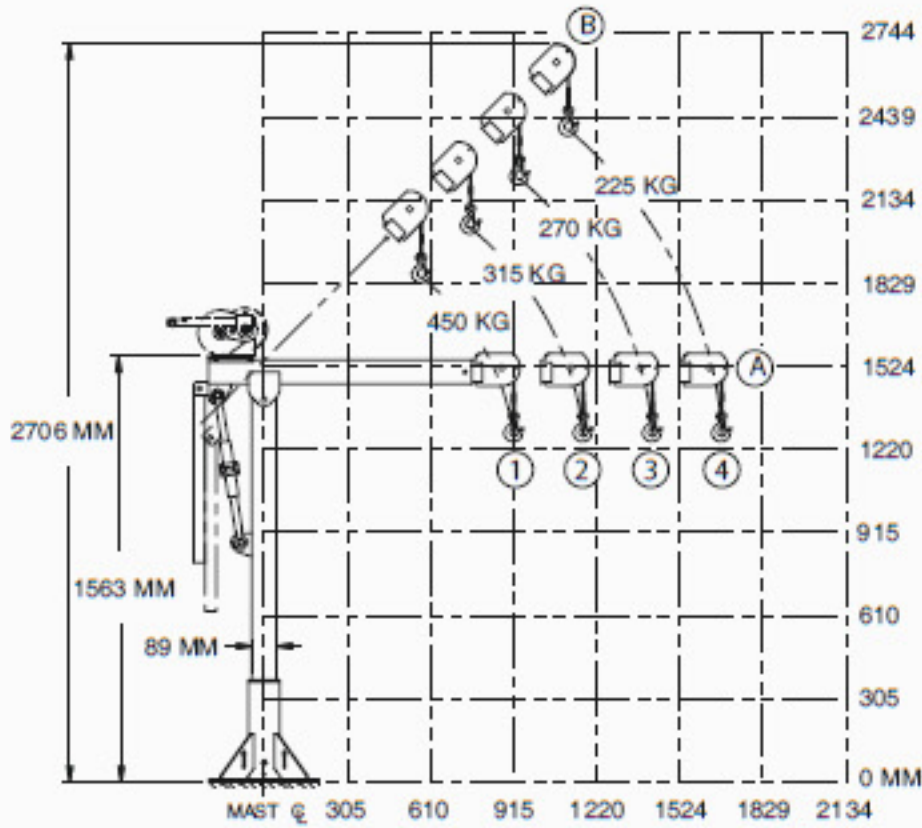
Thern products are not for lifting people or things over people.



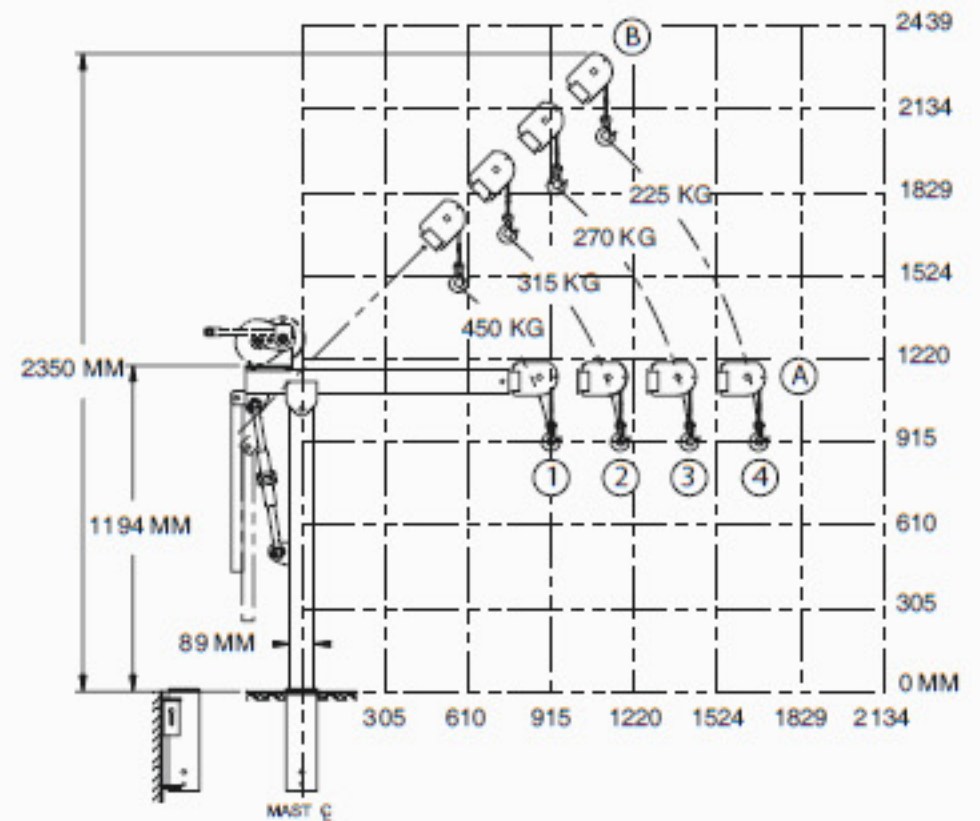
5110 SERIES DAVIT CRANES

up to 450 KG capacity

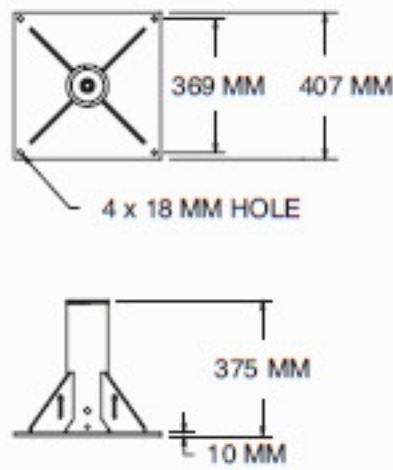
5110 Upright Mount



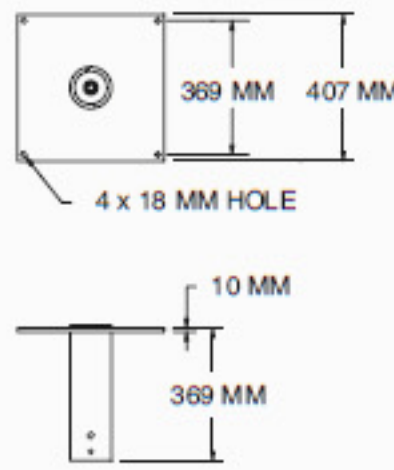
5110 Flush / Wall Mount



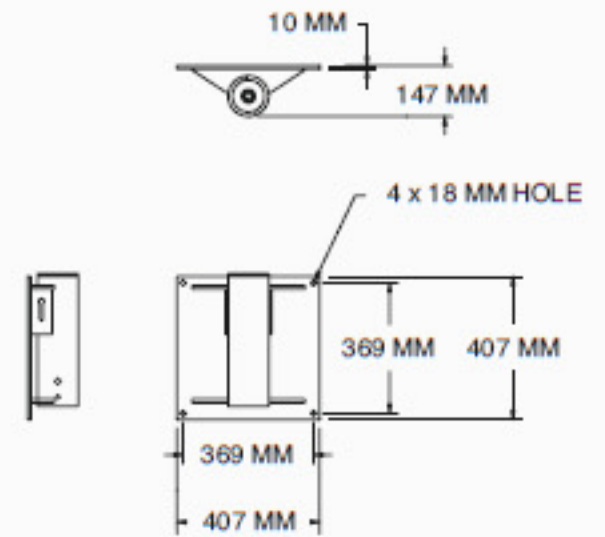
Pedestal Base



Socket Base



Wall Mount Base



5110 Series

Upright Mount Hook Height and Reach

Boom Position	Hook Reach (mm)	Hook Height (mm)
A-1	915	1.270
A-2	1.169	1.270
A-3	1.423	1.270
A-4	1.677	1.270
B-1	585	1.855
B-2	762	2.032
B-3	940	2.210
B-4	1.118	2.388

Dimensions are for reference only and subject to change without notice.

5110 Series

Flush Mount Hook Height and Reach

Boom Position	Hook Reach (mm)	Hook Height (mm)
A-1	915	915
A-2	1.169	915
A-3	1.423	915
A-4	1.677	915
B-1	585	1.499
B-2	762	1.677
B-3	940	1.855
B-4	1.118	2.032

Dimensions are for reference only and subject to change without notice.

Important

It is the owner's or operator's responsibility to determine the suitability of the equipment to its intended use. Study all applicable codes, manuals, and regulations. Be sure to read the Owner's Manual supplied with the equipment before operating it.

These products are not for lifting people or things over people.

